

# 10PI Pro Series Tandem Axle Pipe Top Utility

<b>G.V.W.R.</b>	9,990#	<b>Axle</b>	(2) 5,200# EZ Lube w/Electric Brakes
<b>G.A.W.R. (Ea. Axle)</b>	5,080#	<b>Supension</b>	Multi-Leaf Spring w/Equalizer
<b>Coupler</b>	Forged 2-5/16"	<b>Tire</b>	ST225/75 R-15 Load Range D
<b>Safety Chains</b>	1/4" Grd. 70 w/Safety Latch Hook (2 ea)	<b>Wheel</b>	15" x 6"; White Spoke 6 Bolt
<b>Jack</b>	7,000# Drop Leg (Bolted On)	<b>Floor</b>	2" Treated Pine or Douglas Fir*
<b>Tongue</b>	5" Channel Fold Back/Wrap	<b>Lights</b>	L.E.D. D.O.T. Stop, Tail, Turn & Clearance
<b>Top Rail</b>	2-7/8" Pipe Square Back	<b>Elec. Plug</b>	7-Way RV
<b>Frame</b>	5" x 3" x 1/4" Angle	<b>Finish (Prep)</b>	Steel is Cleaned to Ensure a Professional Smooth Finish.
<b>Crossmembers</b>	3" x 2" x 3/16" Angle	<b>Finish</b>	Superior Quality Finish is Applied for a Highly Decorative and Protective Finish.
<b>Sides</b>	16" Tall - 3" x 2" x 3/16" Angle		
<b>Fenders</b>	9" x 72" Teardrop, Smooth w/Back		

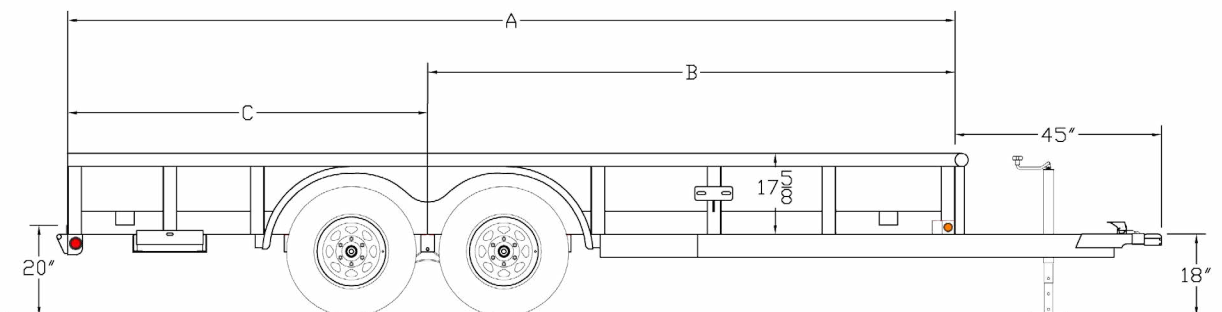
\* Douglas Fir Available from Caldwell, ID Facility Only

## Standard Features

- (4) Tie Down Pockets on Outside Frame
- Forged 2-5/16" Coupler
- Fold Back/Wrap Tongue (14' & Longer)
- Set-Back, 7,000# Drop Leg Jack
- EZ Lube Hubs
- Dexter Brand Axles
- Nev-R-Adjust Electric Brakes on All Hubs
- Cambered Axles
- Tear Drop Style Fenders
- 2-3/8" Pipe Top Rail
- Grommet Mount Sealed Lighting
- L.E.D. Lighting Package
- Protected Wiring
- Spare Tire Mount (Side)
- 4' Slide-In Ramps (Channel)
- Complete Break-A-Way System w/Charger
- Radial Tires **NEW!**

## Description

Dimensions			
Length	A	B	C
14'	169-1/2"	103"	66-1/2"
16'	193-1/2"	115"	78-1/2"
18'	217-1/2"	127"	90-1/2"
20'	240"	138"	102"



# 10PI Pro Series Tandem Axle Pipe Top Utility



Model	Weight*	Description
10PI-14	2,200#	83" x 14' Pro Series Tandem Axle Pipe Top Utility Trailer
10PI-16	2,260#	83" x 16' Pro Series Tandem Axle Pipe Top Utility Trailer
10PI-18	2,320#	83" x 18' Pro Series Tandem Axle Pipe Top Utility Trailer
10PI-20	2,380#	83" x 20' Pro Series Tandem Axle Pipe Top Utility Trailer

\*Weights shown are for base models without options and are estimates only

## Optional Equipment

Category	Description
COUPLERS	2-5/16" Stamped Coupler
COUPLERS	Adjustable Pintle in Channel
JACKS	12,000# Drop Leg Jack - Top Wind
JACKS	12,000# Drop Leg Jack - Side Wind Against Bed
BRAKES	Hydraulic Surge Brakes 2 Axles w/Adjustable Demco Actuator
TIRE/WHEEL	Spare Tire (ST225/75 R-15 LR-D)
TIRE/WHEEL	Tire Upgrade (ST235/80 R-16 LR-E) - Raises Side Rails by 2"
TIRE/WHEEL	Spare Tire Upgrade (ST235/80 R-16 LR-E)
RAMPS	4' Tall Rear Rampgate in Lieu of Slide-In Ramps
RAMPS	5' Tall Rear Rampgate in Lieu of Slide-In Ramps
RAMPS	Gas Shock Assist Option for Rampgate
RAMPS	5' Stand Up Ramps in Lieu of Slide-In Ramps
RAMPS	4' Heavy Duty Integrated Ramp Gate w/Gas Shock Assist in Lieu of Ramps
RAMPS	5' Heavy Duty Integrated Ramp Gate w/Gas Shock Assist in Lieu of Ramps (Split Gate)
BODY	Enclose Sides w/ Expanded Metal (Per Square Foot)
BODY	Enclose Sides w/ Sheet Metal (Per Square Foot)
BODY	2' High Sides (Open)
BODY	3' High Sides (Open)
BODY	4' High Sides (Open)
BODY	1/8" Diamond Plate Steel Floor (Per Square Foot)
CARGO CONTROL	Bolt-On Landscape Box- Extra Wide (24" x 24" x 87")
CARGO CONTROL	Additional Tie Down Pockets (Each)
CARGO CONTROL	B40 5/8" D-Ring (Each)