

4555 Economy Tandem Axle Pipe Top Utility

G.V.W.R.	4,490#	Axle	(2) 3,500# EZ Lube w/ (1) Elec. Brake
G.A.W.R. (Ea. Axle)	3,500#	Supension	Multi-Leaf Spring w/ Equalizer
COUPLER	2" A-Frame	Tire	ST205/75R-15 Load Range C
SAFETY CHAINS	1/4" Grd. 30 w/Safety Latch Hook (2 ea)	Wheel	15" x 5"; White Spoke 5 on 5 Bolt Pattern
JACK	2,000# Top Wind (Bolted On)	Floor	2" Treated Pine or Douglas Fir*
TONGUE	4" Channel	Lights	D.O.T. Stop, Tail, Turn & Clearance
TOP RAIL	2-3/8" Pipe Square Back	Elec. Plug	7-Way RV
FRAME	3" x 2" x 3/16" Angle	Finish (Prep)	Steel is Cleaned to Ensure a Professional Smooth Finish.
CROSSMEMBERS	3" x 2" x 3/16" Angle	Finish	Superior Quality Finish is Applied for a Highly Decorative and Protective Finish.
UPRIGHTS	15" Tall, 2" x 2" x 1/8" Angle		
FENDERS	9" x 72" Rolled Formed w/Back		

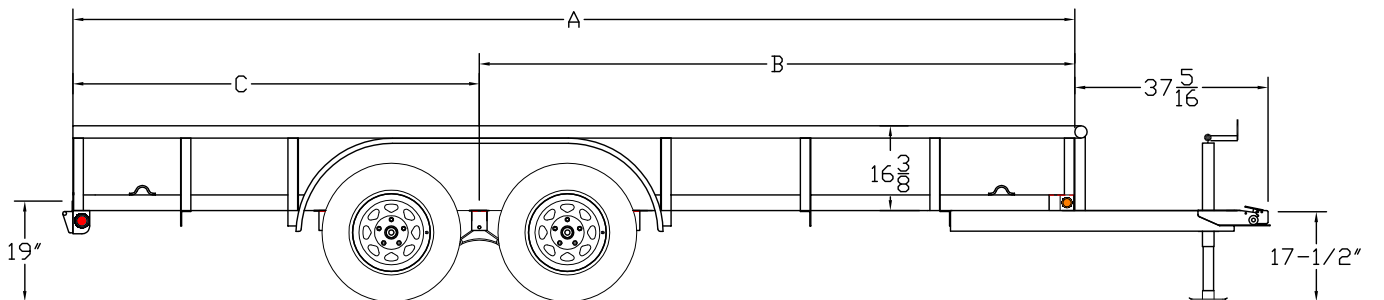
* Douglas Fir Available from Caldwell, ID Facility Only

Standard Features

- (4) Tie Down Loops Inside Bed
- EZ Lube Hubs
- Dexter Brand Axles
- Nev-R-Adjust Electric Brakes
- Cambered Axles
- 2-3/8" Pipe Top Rail
- Grommet Mount Sealed Lighting
- Protected Wiring
- Removable Sand Foot on Jack
- Complete Break-A-Way System w/Charger
- Radial Tires **NEW!**

Description

Dimensions			
Length	A	B	C
16'	193-1/2"	115"	78-1/2"



4555 Economy Tandem Axle Pipe Top Utility ●



◆ Model	Weight*	Description
45SS-16	1,370#	77" x 16' Economy Tandem Axle Pipe Top Utility Trailer

*Weights shown are for base models without options and are estimates only

Optional Equipment

Category	Description
BRAKES	No Brakes (Delete Break-A-Way System as Well)
BRAKES	Electric Brakes on 2nd Axle
TIRE/WHEEL	Spare Tire Mount (Side)
TIRE/WHEEL	Spare Tire (ST205/75R-15 LR-C)
RAMPS	4' Tall Rear Rampgate
RAMPS	4' Slide-In Angle Ramps

Economy Style Model - Limited Options, Black Only