

10LX Pro Series Tandem Axle Extra Wide Dump

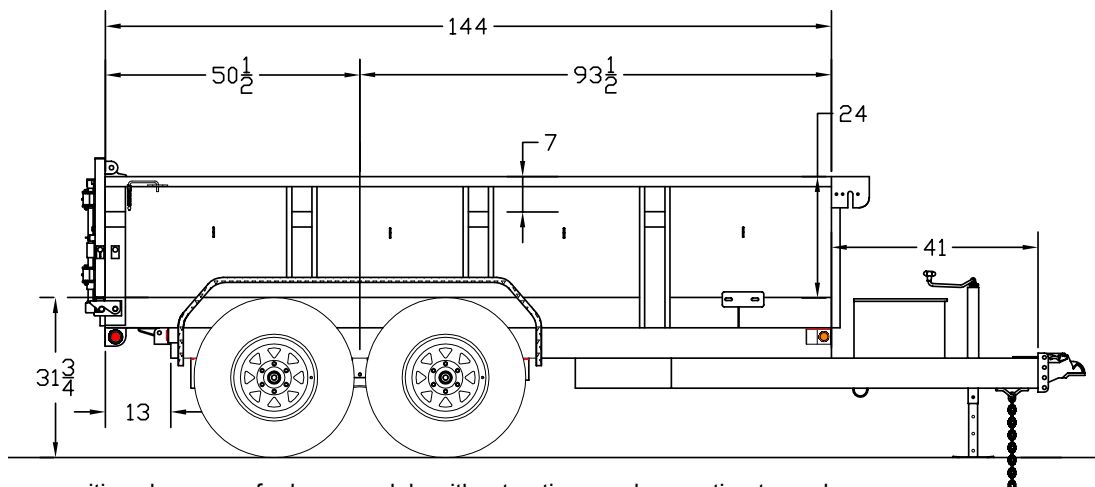
G.V.W.R.	9,990#	Axles	Two 5,200# EZ Lube w/Elec. Brakes
G.A.W.R. (Ea. Axle)	5,200#	Supension	Multi-Leaf Spring w/Equalizer
Coupler	2-5/16" Adjustable Forged	Tire	ST235/80 R-16 Load Range E
Safety Chains	1/4" Grd. 70 w/Safety Latch Hook (2 each)	Wheel	16" x 6"; White Spoke 6 Bolt
Jack	7,000# Top Wind Drop Leg (Bolted On)	Floor	10 Gauge Smooth Steel
Tongue	6" Channel	Lights	L.E.D. D.O.T. Stop, Tail, Turn & Clearance
Frame	6" x 2" Rectangular Tubing	Elec. Plug	7-Way RV
Crossmembers	8" Channel	Finish (Prep)	Steel is Cleaned to Ensure a Professional Smooth Finish.
Bed Crossmembers	3" Channel		
Bed Long Sils	3" Channel	Finish	Superior Quality Finish is Applied for a Highly Decorative and Protective Finish.
Bed Side Rails	6 1/2" Formed Angle		
Fenders	9" x 72" Double Square Broke Diamond Plate		

Standard Features

- Lockable Pump & Battery Box Mounted in Front of Bed
- J-Hooks for Tie Down
- Fully Formed Shroud for Tarp
- Self Contained Electric/Hydraulic Scissor Hoist
- 45 Degree Dump Angle
- Combo Gate
- 24", 12 Ga. Sides
- 10 Ga. Floor
- Stake Pockets (Sides)
- EZ Lube Hubs
- Dexter Brand Axles
- (4) 5/8" D-Rings Inside Bed
- Nev-R-Adjust Electric Brakes
- Cambered Axles
- Spare Tire Mount
- Diamond Plate Fenders
- Grommet Mount Sealed Lighting
- L.E.D. Lighting Package
- Protected Wiring
- Complete Break-A-Way System w/Charger
- 2" Square Tubing Top Rail
- Radial Tires

Description

Weights & Capacities			
Length	Empty Weight	Payload	Box Capacity
10'	3,160#	6,830#	5.2 Cubic Yards
12'	3,500#	6,490#	6.1 Cubic Yards



*Weights and cargo capacities shown are for base models without options and are estimates only

10LX Pro Series Tandem Axle Extra Wide Dump ●



Model	Weight*	Description
10LX-10	3,160#	83" x 10' Pro Series Tandem Axle Dump
10LX-12	3,500#	83" x 12' Pro Series Tandem Axle Dump

*Weights shown are for base models without options and are estimates only

Optional Equipment

Category	Description
COUPLER	Adjustable Pintle in Channel ILO Coupler
BRAKES	Hydraulic Surge Brakes on Both Axles
JACKS	12,000# Top Wind Drop Leg Jack
TIRE/WHEEL	Spare Tire (ST235/80 R-16 LR-E)
RAMPS	7' Slide In Ramps
POWER	Wireless Remote
POWER	5 Watt Solar Charger
POWER	110V Charger
BODY	24" Expanded Metal Side Extensions (10')
BODY	24" Expanded Metal Side Extensions (12')
BODY	3' Solid Sheet Metal Sides
BODY	4' Solid Sheet Metal Sides
CARGO CONTROL	Crank Style Roll Tarp