

# 12LX Standard Duty Tandem Axle Extra Wide Dump

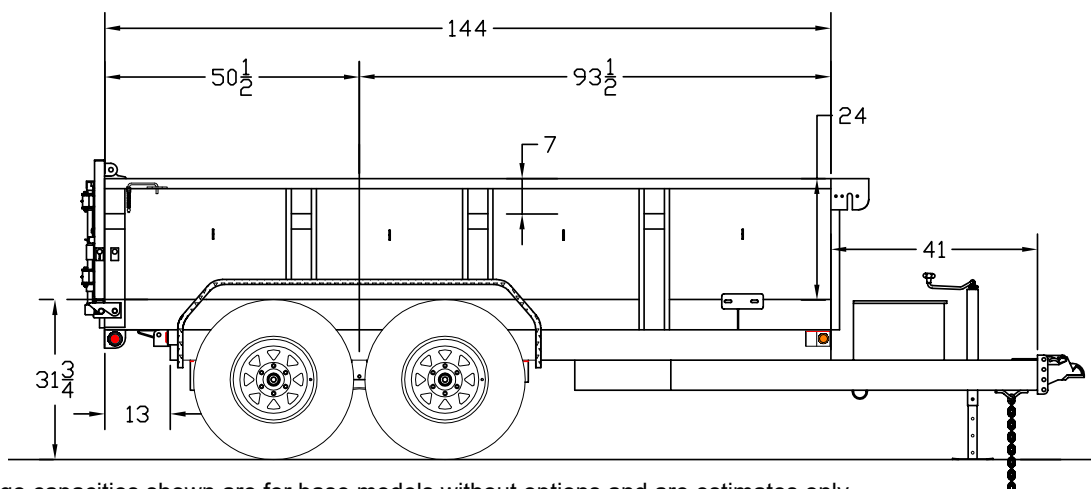
<b>G.V.W.R.</b>	12,000#	<b>Axles</b>	(2) 6,000# EZ Lube w/Elec. Brakes
<b>G.A.W.R. (Ea. Axle)</b>	6,000#	<b>Supension</b>	Multi-Leaf Spring w/Equalizer
<b>Coupler</b>	2-5/16" Adjustable Forged	<b>Tire</b>	ST235/80 R-16 Load Range E
<b>Safety Chains</b>	1/4" Grd. 70 w/Safety Latch Hook (2 each)	<b>Wheel</b>	16" x 6"; White Spoke 8 Bolt
<b>Jack</b>	7,000# Top Wind Drop Leg (Bolted On)	<b>Floor</b>	10 Gauge Smooth Steel
<b>Tongue</b>	6" Channel	<b>Lights</b>	L.E.D. D.O.T. Stop, Tail, Turn & Clearance
<b>Frame</b>	6" x 3" Rectangular Tubing	<b>Elec. Plug</b>	7-Way RV
<b>Crossmembers</b>	6" Channel	<b>Finish (Prep)</b>	Steel is Cleaned to Ensure a Professional Smooth Finish.
<b>Bed Crossmembers</b>	3" Channel	<b>Finish</b>	Superior Quality Finish is Applied for a Highly Decorative and Protective Finish.
<b>Bed Long Sils</b>	3" Channel		
<b>Bed Side Rails</b>	6-1/2" Formed Angle		
<b>Fenders</b>	9" x 72" Double Square Broke Diamond Plate		

## Standard Features

- Lockable Pump & Battery Box Mounted in Front of Bed
- J-Hooks for Tie Down
- Fully Formed Shroud for Tarp
- Self Contained Electric/Hydraulic Scissor Hoist
- 45 Degree Dump Angle
- Combo Gate
- 24", 12 Ga. Sides
- 10 Ga. Floor
- Stake Pockets (Sides)
- EZ Lube Hubs
- Dexter Brand Axles
- (4) 5/8" D-Rings Inside Bed
- Nev-R-Adjust Electric Brakes
- Cambered Axles
- Spare Tire Mount
- Diamond Plate Fenders
- Grommet Mount Sealed Lighting
- L.E.D. Lighting Package
- Protected Wiring
- Complete Break-A-Way System w/Charger
- 2" Square Tubing Top Rail
- Radial Tires

## Description

Weights & Capacities			
Length	Empty Weight	Payload	Box Capacity
12'	3,570#	8,430#	6.2 Cubic Yards



\*Weights and cargo capacities shown are for base models without options and are estimates only

# 12LX Standard Duty Tandem Axle Extra Wide Dump



Model	Weight*	Description
12LX-12	3,570#	83" x 12' Standard Duty Tandem Axle Extra Wide Dump

\*Weights shown are for base models without options and are estimates only

## Optional Equipment

Category	Description
COUPLER	Adjustable Pintle in Channel ILO Coupler
BRAKES	Hydraulic Surge Brakes on Both Axles
JACKS	12,000# Top Wind Drop Leg Jack
TIRE/WHEEL	Spare Tire (ST235/80 R-16 LR-E)
RAMPS	7' Slide In Ramps
POWER	Wireless Remote
POWER	5 Watt Solar Charger
POWER	110V Charger
BODY	24" Expanded Metal Side Extensions (12')
BODY	3' Solid Sheet Metal Sides
BODY	4' Solid Sheet Metal Sides
CARGO CONTROL	Crank Style Roll Tarp